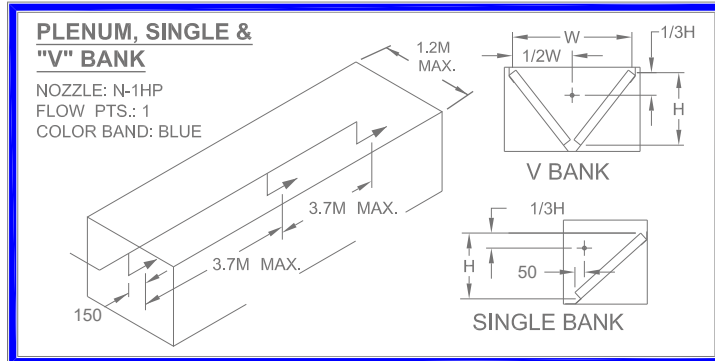
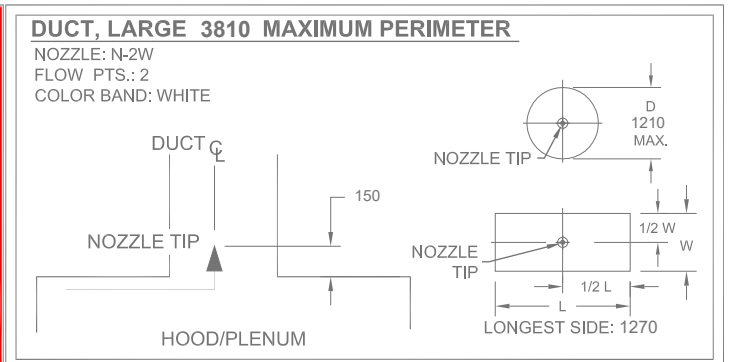
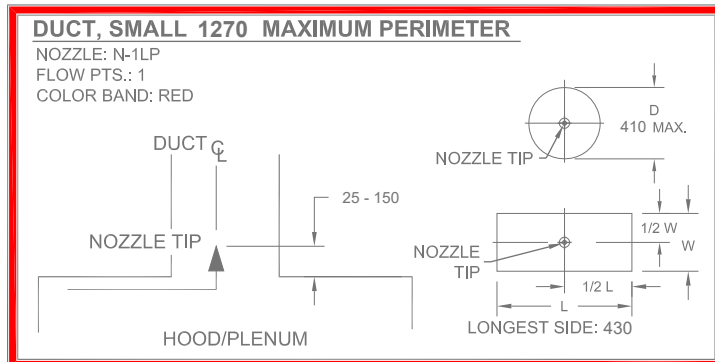
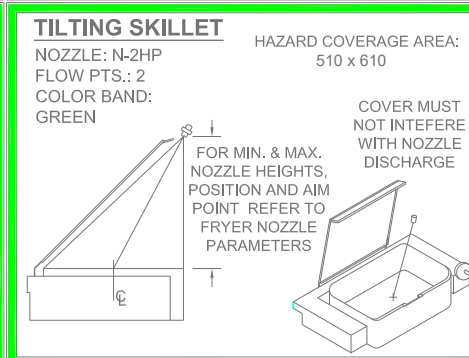
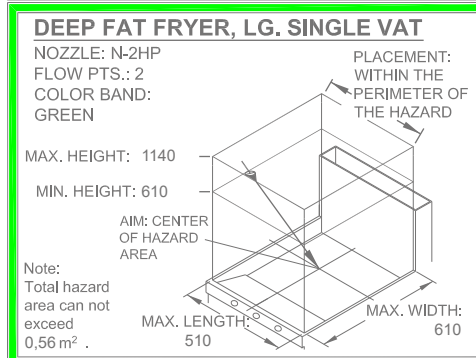
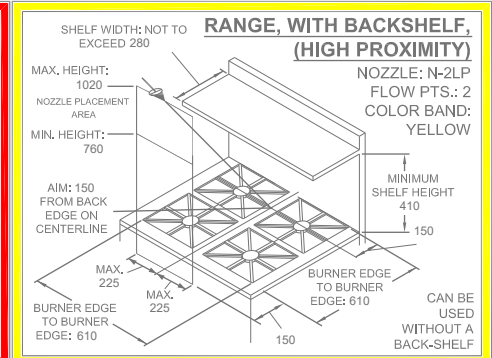
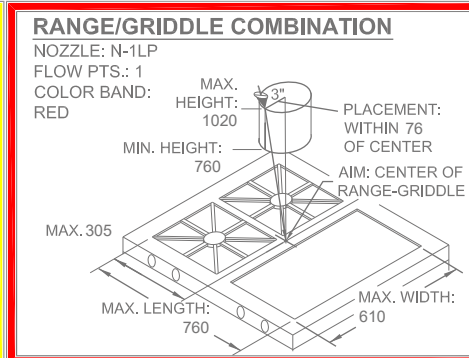
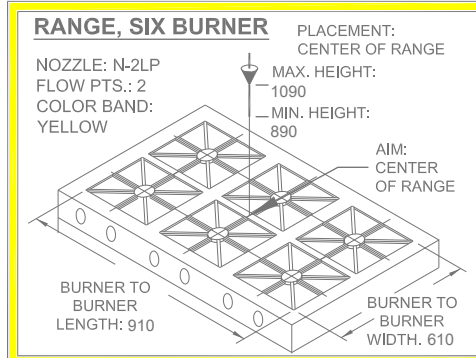
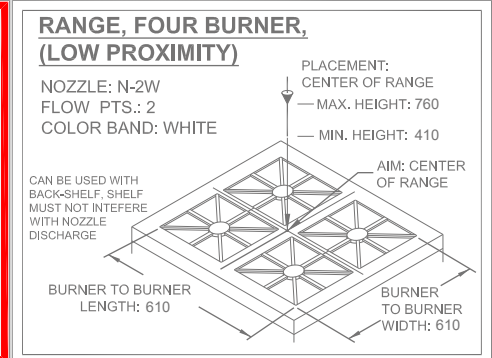
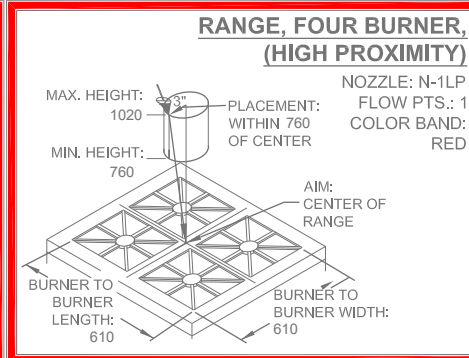
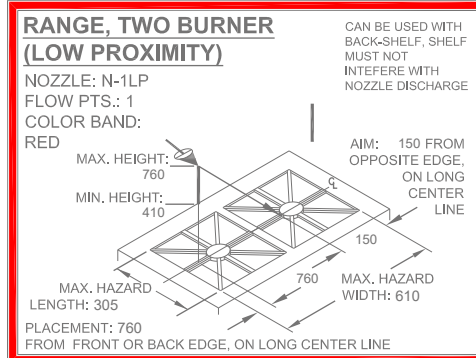


Buckeye Kitchen Mister coverage summary sheet

This summary sheet is provided as a quick reference, a complete understanding of the technical manual (BFR-TM) is required. The most current Buckeye Kitchen Mister Restaurant Cooking Area Fire Suppression System Technical Manual (Part Number: BFR-TM) supersedes this reference sheet. It is essential that this reference sheet be compared with the current technical manual before using. Dimensions given in millimetres (mm) unless otherwise noted.



This Section Intentionally Blank



This Section Intentionally Blank

Buckeye Kitchen Mister coverage summary sheet

This summary sheet is provided as a quick reference, a complete understanding of the technical manual (BFR-TM) is required. The most current Buckeye Kitchen Mister Restaurant Cooking Area Fire Suppression System Technical Manual (Part Number: BFR-TM) supersedes this reference sheet. It is essential that this reference sheet be compared with the current technical manual before using. Dimensions given in millimetres (mm) unless otherwise noted.

GRIDDLE, STANDARD 1070 MAX.
 NOZZLE: N-1LP
 FLOW PTS.: 1
 COLOR BAND: RED

AIM: 150 FROM CENTER OF HAZARD AREA, IN LINE WITH NOZZLE
 MAX. LENGTH: 1070
 MAX. WIDTH: 760
 MAX. HEIGHT: 1220
 MIN. HEIGHT: 610
 PLACEMENT: ON THE PERIMETER OF THE HAZARD

GRIDDLE, LARGE 1220 MAX.
 NOZZLE: N-1LP
 FLOW PTS.: 1
 COLOR BAND: RED

AIM: 3" (76) FROM CENTER, IN LINE WITH NOZZLE
 MAX. LENGTH: 1220
 MAX. WIDTH: 760
 MAX. HEIGHT: 1090
 MIN. HEIGHT: 760
 PLACEMENT: 150 OFF GRIDDLE EDGE, ON LONG CENTER LINE

GRIDDLE, X-LARGE 1520 MAX.
 NOZZLE: N-2LP
 FLOW PTS.: 2
 COLOR BAND: YELLOW

AIM: 203 FROM CENTER OF HAZARD AREA IN LINE WITH NOZZLE
 MAX. LENGTH: 1520
 MAX. WIDTH: 760
 MAX. HEIGHT: 1220
 MIN. HEIGHT: 610
 PLACEMENT: ON THE PERIMETER OF THE HAZARD

GRIDDLE, LOW PROXIMITY
 NOZZLE: N-2W
 FLOW PTS.: 2
 COLOR BAND: WHITE

MAXIMUM HEIGHT: 760
 MINIMUM HEIGHT: 250
 MAXIMUM LENGTH(L): 1520
 MAXIMUM WIDTH(W): 760
 NOZZLE PLACEMENT AREA
 MAXIMUM OF 76 FROM EDGE

GRIDDLE, EXTRA LOW PROXIMITY
 NOZZLE: N-2W
 FLOW PTS.: 2
 COLOR BAND: WHITE

MAXIMUM HEIGHT: 250
 MINIMUM HEIGHT: 50
 MAXIMUM LENGTH(L): 1070
 MAXIMUM WIDTH(W): 760
 NOZZLE PLACEMENT SHALL BE ABOVE ANY CORNER
 45°
 L=W

WOK
 NOZZLE: N-1HP
 FLOW PTS.: 1
 COLOR BAND: BLUE

AIM: AT CENTER OF WOK BOTTOM
 MAX. HEIGHT: 1220
 MIN. HEIGHT: 760
 MAX. WOK DIA.: 762
 MIN. WOK DIA.: 304
 PLACEMENT: WITHIN THE PERIMETER OF THE HAZARD

RADIANT CHARBROILER
 NOZZLE: N-1HP
 FLOW PTS.: 1
 COLOR BAND: BLUE

AIM: CENTER OF HAZARD AREA
 MAX. LENGTH: 910
 MAX. WIDTH: 610
 MAX. HEIGHT: 1220
 MIN. HEIGHT: 760
 PLACEMENT: WITHIN THE PERIMETER OF THE HAZARD

LAVA ROCK CHARBROILER
 NOZZLE: N-2HP
 FLOW PTS.: 2
 COLOR BAND: GREEN

AIM: CENTER OF HAZARD AREA
 MAX. LENGTH: 610
 MAX. WIDTH: 610
 MAX. HEIGHT: 1020
 MIN. HEIGHT: 610
 PLACEMENT: WITHIN THE PERIMETER OF THE HAZARD

BROILER AND UPRIGHT BROILER
 NOZZLE: N-1LP
 FLOW PTS.: 1
 COLOR BAND: RED

AIM: CENTER OF COOKING GRATE
 MAX. LENGTH: 910
 MAX. WIDTH: 610
 PLACEMENT: TOP CORNER OF FRONT OPENING

MAXIMUM PIPING PER CYLINDER SIZE				
CYLINDER SIZE	MAX. FLOW POINTS	MAX. PIPE VOLUME ALLOWED (mL)	MAX. PIPE VOL. BETWEEN ANY TWO NOZZLES (mL)	MAX. # OF ELBOWS
BFR-5	5	1500	1000	20
BFR-10	10	2500	2000	25
BFR-15	15	2800*	2500	25
BFR-20	20	2800*	2500	25

* Total volume of 3/8" piping allowed is 2500 mL.

Piping Limitations:

- > 3/8" (17.1 mm OD) or 1/2" (21.3 mm OD) Sch. 40 black pipe.
- > Pipe sized largest to smallest only.
- > No "traps" allowed.
- > Max. number of elbows between any (2) nozzles: 5.
- > Max. vertical rise: 3 m.
- > Max. vertical rise from nozzle to supply line: 0.6 m.

Minimum Piping Requirements (Wok, Range, & DFF only):

- > Min. # of elbows before closest nozzle: 5.
- > Min. pipe volume before closest nozzle: 360 mL.
- > Total system pipe volume: 600 mL.
- > Minimum number of flow points in system: 3.

CONDUIT AND BUCKEYE SHIELDED CABLE (BSC) LIMITATIONS						
FUNCTION	MAX. CONDUIT LENGTH MM	MAXIMUM NUMBER OF CORNER PULLEYS	MAX. LENGTH OF BSC MM	MAXIMUM NUMBER OF BENDS IN THE BSC (MIN. BEND RADIUS)	BSC TO CONDUIT TRANSITIONS (NUMBER OF BSC)	MAXIMUM NUMBER OF FUSIBLE LINKS AND HOLDERS
FUSIBLE LINK LINE; CONDUIT & BSC	76	8	107	6 [230]	6	10
GAS VALVE LINE; CONDUIT & BSC	76	8	107	6 [230]	6	NA
RPS-M LINE; CONDUIT & BSC	76	8	107	6 [230]	6	NA
FUSIBLE LINK LINE; CONDUIT ONLY	457	35	NA	NA	NA	20
GAS VALVE LINE; CONDUIT ONLY	457	35	NA	NA	NA	NA
RPS-M LINE; CONDUIT ONLY	457	35	NA	NA	NA	NA
FUSIBLE LINK LINE; BSC ONLY	NA	NA	107	6 [230]	6	10
GAS VALVE LINE; BSC ONLY	NA	NA	107	6 [230]	6	NA
RPS-M LINE; BSC ONLY	NA	NA	107	6 [230]	6	NA

> BSC CAN NOT be coiled or looped when installed.

PIPE SIZE (SCH. 40)	PIPE VOLUME
3/8 in. (17.1 mm OD) pipe	123mL/m
1/2 in. (21.3 mm OD) pipe	196mL/m

REMOTE CYLINDER ACTUATION LIMITATIONS			
ACTUATION CARTRIDGE PART NUMBER	NUMBER OF CYLINDER(S) THAT CAN BE ACTUATED	MAX. LENGTH OF 1/4" (0.6) OD COPPER TUBING	MAX. LENGTH OF TUBING BETWEEN CYLINDERS
BFR-AC-S	1-3	460 mm	90 mm
BFR-AC-L	1-5	760 mm	90 mm